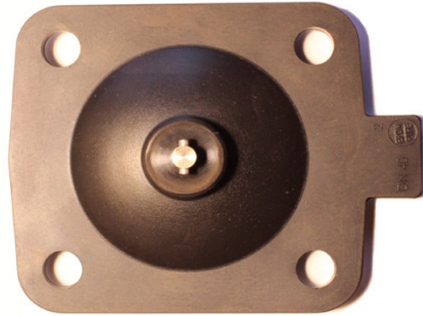




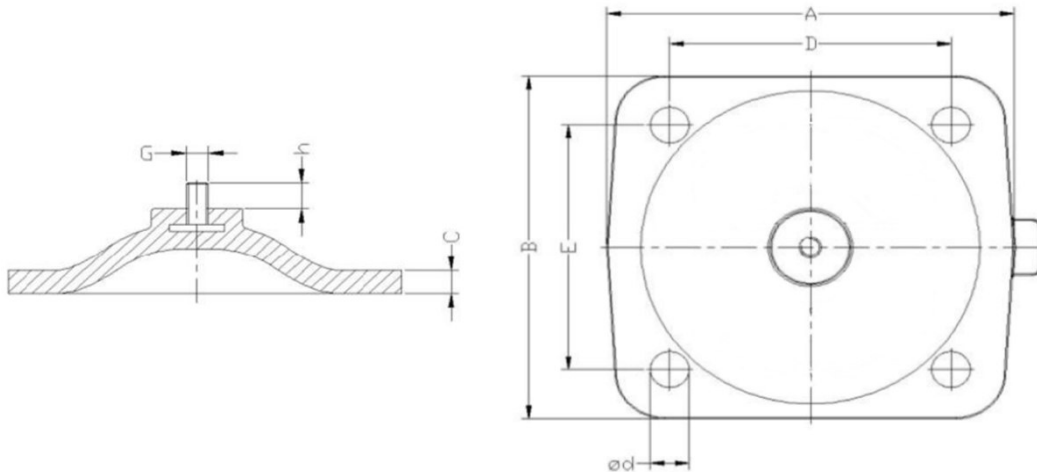
## Seseca Inc. "Bürkert™-Style" diaphragms DN08 - DN50

### Version SSCS

Type square with bridge  
narrow circular bead



SIZE DN	Material	Version	Version	outer size in mm			detail sizes in mm					number of boreholes
		SSCR	SSCS	A	B	C	∅d	D	E	G	h	
15	EPDM		◆	48	45	5.2	6.2	37	33	rubberpin 13.3	N/A	4
15	PTFE / EPDM		◆	48	45	5.2	6.2	37	33	bayonet	N/A	4
25	EPDM		◆	72.5	67.5	5.9	9	54	46	1/4"	x	4
25	PTFE / EPDM		◆	72.5	67.5	5.9	9	54	46	bayonet	x	4
40	EPDM		◆	99	91	6.8	11	70	65	1/4"	x	4
40	PTFE / EPDM		◆	99	91	6.8	11	70	65	bayonet	x	4
50	EPDM		◆	118	107.5	6.3	13	82	78	1/4"	x	4
50	PTFE / EPDM		◆	118	107.5	6.3	13	82	78	bayonet	x	4



All diaphragms are made of the most advanced high quality fabric reinforced EPDM material made in Germany or fully vulcanized EPDM /PTFE material  
For our DN15 - DN50 diaphragms we use PTFE; Dyneon™ TFM™ 1705.

Available conformity declarations:

EPDM: FDA CFR21 177.2600, USP class VI, (others on request)

PTFE & TFM™: FDA CFR21 177.1550, USP class VI, (others on request)

#### Temperature Range EPDM Diaphragms:

Liquid Media: -10 to 100°C

Maximum Steam Sterilization: +150°C / maximum 180 minutes per cycle

#### Temperature Range PTFE (TFM1705)/EPDM Diaphragms:

Liquid Media: -10 to 100°C

Maximum Steam Sterilization: +176°C / no time limit per sterilization cycle

All our diaphragms are molded into the convex shape;

Diaphragms are pushed by IA into their NON-MOLD position either by opening or by closing the valve actuator.

Ours are molded in open position and are pushed into the non-mold position when closed.

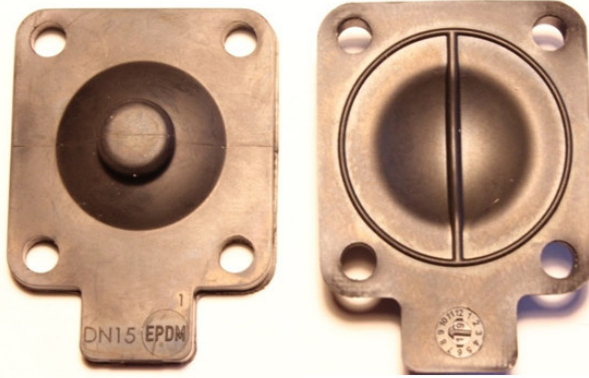
#### LEGAL DISCLAIMER INFORMATION

Seseca Inc. does not represent, nor sell OEM diaphragms manufactured by Christian Bürkert™ GmbH & Co. KG / Bürkert™ Fluid Control Systems.

Seseca Inc. "Bürkert™-Style" diaphragms are guaranteed to fit OEM equipment and meet or exceed OEM specifications.

## 2024 Price list Seseca Inc. "Bürkert™-Style" diaphragms EPDM

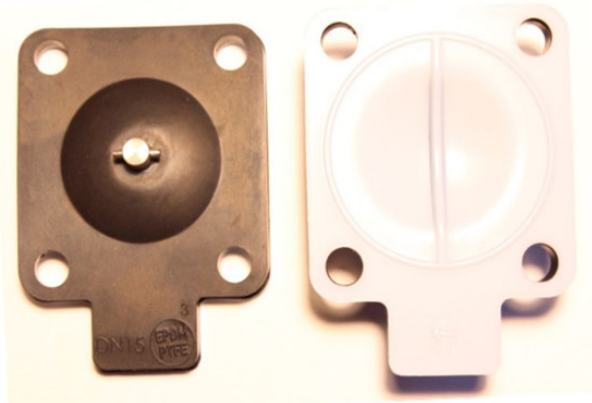
Seseca Inc. "Bürkert™-Style"  
diaphragms DN15 - DN50



EPDM diaphragms	Material	Connection type	Compatibility information	Made in	FDA conformity	USP class VI conformity	Part No.	Number of spareparts
Seseca Inc. "Bürkert™-Style" diaphragm DN15	EPDM	rubber pin ø 13.3mm	Bürkert™AD	Germany	yes	yes	53065-B	1
Seseca Inc. "Bürkert™-Style" diaphragm DN25	EPDM	threaded pin 1/4"	Bürkert™AD	Germany	yes	yes	53066-B	1
Seseca Inc. "Bürkert™-Style" diaphragm DN40	EPDM	threaded pin 1/4"	Bürkert™AD	Germany	yes	yes	53067-B	1
Seseca Inc. "Bürkert™-Style" diaphragm DN50	EPDM	threaded pin 1/4"	Bürkert™AD	Germany	yes	yes	53068-B	1

## 2024 Price list Seseca Inc. "Bürkert™-Style" diaphragms PTFE/EPDM

Seseca Inc. "Bürkert™-Style"  
diaphragms DN15 - DN50



PTFE/EPDM FULLY vulcanized diaphragms	Material	Additional Information	Compatibility information	Made in	FDA conformity	USP class VI conformity	Part No.	Number of spareparts
Seseca Inc. "Bürkert™-Style" diaphragm DN15	PTFE/EPDM	bayonet	Bürkert™ EA / EU	Germany	yes	yes	53072-B	1
Seseca Inc. "Bürkert™-Style" diaphragm DN25	PTFE/EPDM	bayonet	Bürkert™ EA / EU	Germany	yes	yes	53073-B	1
Seseca Inc. "Bürkert™-Style" diaphragm DN40	PTFE/EPDM	bayonet	Bürkert™ EA / EU	Germany	yes	yes	53074-B	1
Seseca Inc. "Bürkert™-Style" diaphragm DN50	PTFE/EPDM	bayonet	Bürkert™ EA / EU	Germany	yes	yes	53075-B	1

### LEGAL DISCLAIMER INFORMATION

Seseca Inc. does not represent, nor sell OEM diaphragms manufactured by Christian Bürkert™ GmbH & Co. KG / Bürkert™ Fluid Control Systems.

Seseca Inc. "Bürkert™-Style" diaphragms are guaranteed to fit OEM equipment and meet or exceed OEM specifications.